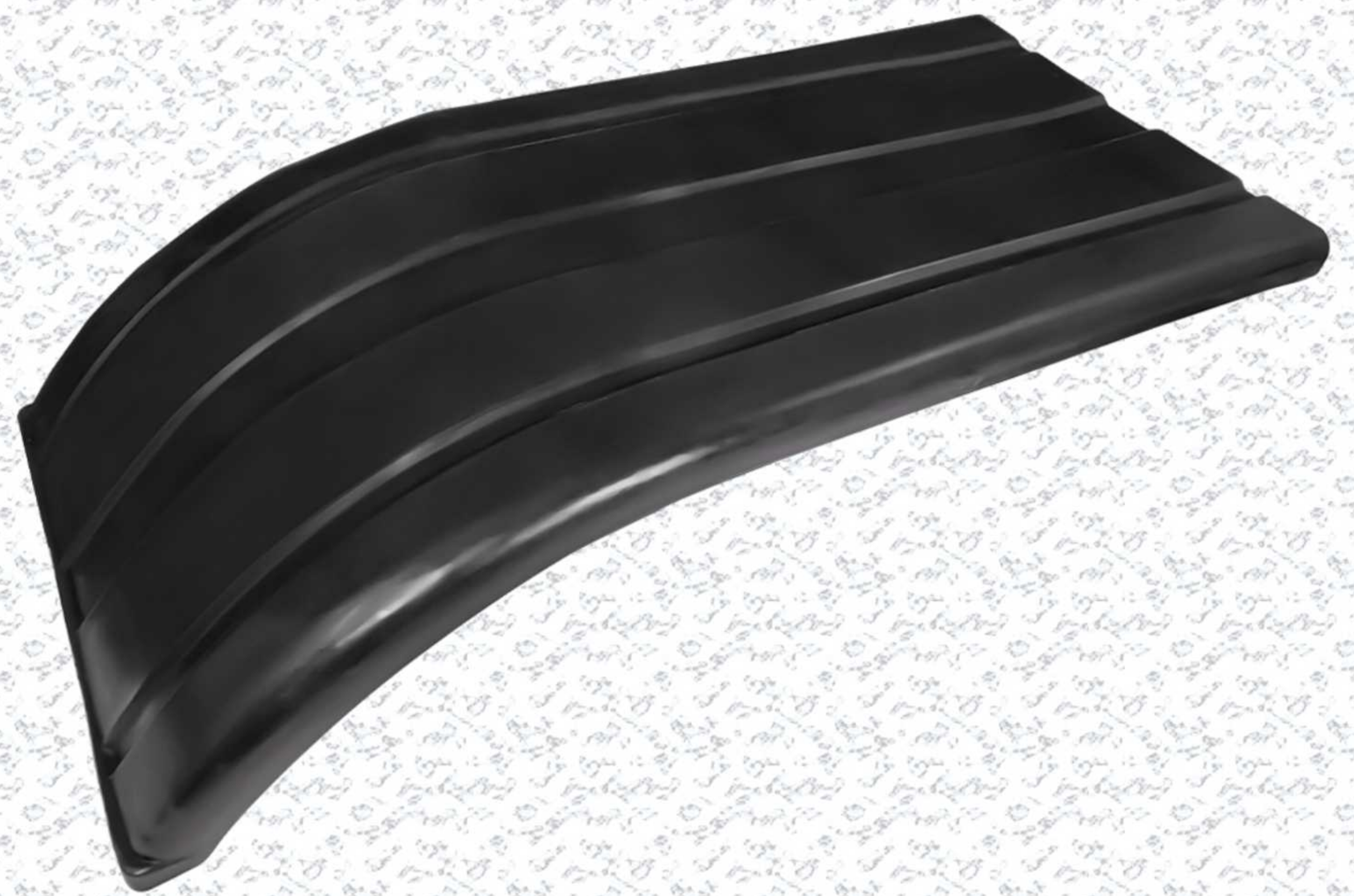




# Truck Fenders

Handles All Of Canada's  
Extreme Cold

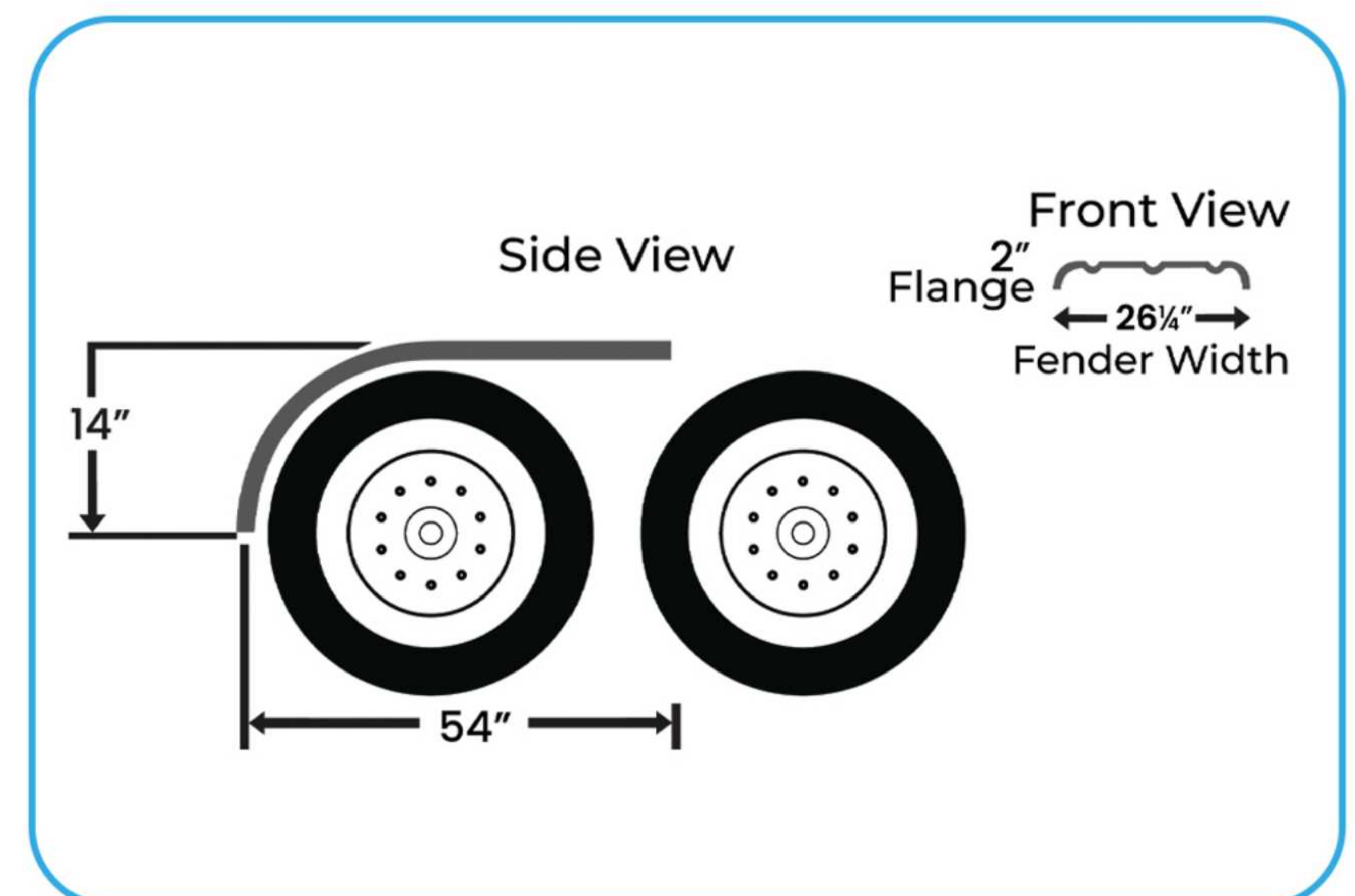


Part #20-2500



## Design Features

- ✔ 3-rib design for strength and water shed
- ✔ Rolled side edge to direct debris down to the road
- ✔ Smoothed underside design is self-cleaning and does not allow mud to collect
- ✔ Inside skirt to keep debris out of truck frame
- ✔ Mounting lip on front for chain mounts and mud flaps
- ✔ 3/8" thick plastic in our heavy duty use design (most competitor's products are 1/16")
- ✔ Durable low density polyethylene material handles off road daily wear and tear
- ✔ Won't rust or dent
- ✔ Stands the test of Canadian winters (Tested to -40°C in off-road rigors)
- ✔ 54" long x 26¼" wide x 14" high
- ✔ Designed specifically for 22.5"-24.5" tires but works with many others
- ✔ Simply join two 20-2500's together to create a full tandem.



"AT LOGIC PLASTICS WE HAVE QUALITY PRODUCTS  
and OUTSTANDING CUSTOMER CARE"

Contact Us For More Info \_\_\_\_\_

📍 5520 Blackburn Road Prince George, BC

📞 250-649-4526  
1-877-399-1801

🌐 [www.logicplastics.ca](http://www.logicplastics.ca)  
[info@logicplastics.ca](mailto:info@logicplastics.ca)



See Website For Full  
Specifications

[www.logicplastics.ca](http://www.logicplastics.ca)



Light Boxes



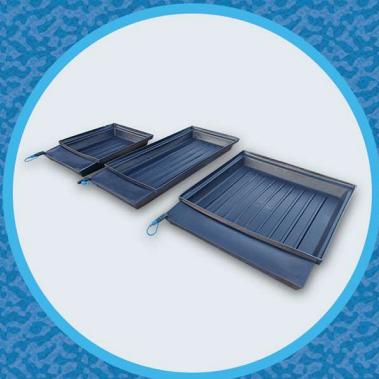
Truck Fenders



Tanks



Dock Floats



Drip Trays



Drain Tubs



Truck Boxes



Truck Fenders



FOR FULL SPECIFICATIONS \_\_\_\_\_



250-649-4526  
1-877-399-1801



[www.logicplastics.ca](http://www.logicplastics.ca)  
[Info@logicplastics.ca](mailto:Info@logicplastics.ca)



5520 Blackburn Road  
Prince George, BC